



HARTMAN - CORP  
 2201 E. PLAINVIEW BOULEVARD, SUITE 100  
 FORT WORTH, TEXAS 76106  
 (817) 339-1000  
 www.hca.com

**JONES & DBR**  
 8000 Walnut Avenue  
 South Dallas, Suite 310  
 Dallas, Texas 75242  
 (214) 343-1100  
 www.jonesanddbr.com

DBR Project Number 1816.000

SB AH HI JL

**Kimley»Horn**

2000 VIA FORTUNA, SUITE 300  
 AUSTIN, TX 78704  
 PHONE: 512-336-3337 FAX: 512-336-1799  
 www.kimley-horn.com  
 C 2018 KIMLEY-HORN AND ASSOCIATES, INC.  
 WFE No. 14, 838

AUSTIN I.S.D.



DEPARTMENT OF CONSTRUCTION  
 MANAGEMENT

DOBIE MIDDLE SCHOOL

RENOVATIONS

1200 E Rundberg Ln, Austin, Texas  
 AISD PROJECT No. 190035-DOBIE

NOT FOR CONSTRUCTION OR  
 PERMITTING PURPOSES OR  
 REVIEW ONLY  
 11/20/19  
 RELEASED DATE:  
 12/04/2019

REVISIONS

No.	Issue	Date

SHEET INFORMATION

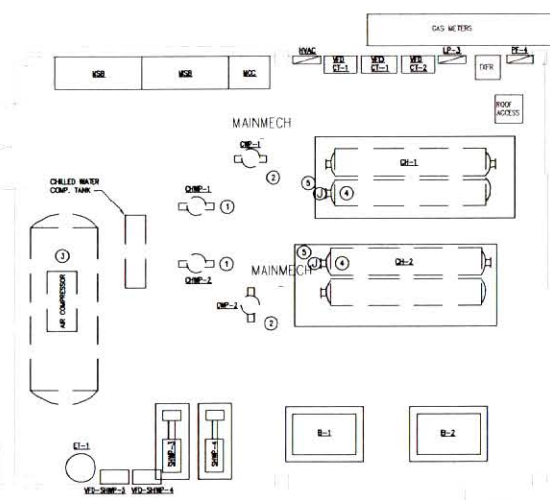
Date: November 21, 2019  
 Job Number: 19-0035  
 Scale: ORR  
 Checked: SB  
 Approved: MC

TITLE

ENLARGED - ELECTRICAL  
 PLANS

SHEET

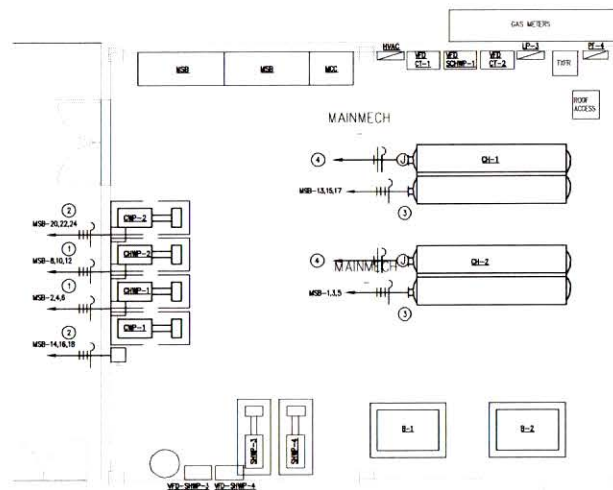
E3.1



1 MAIN MECHANICAL ROOM DEMO PLAN  
 1/4"=1'-0"

1 - ELECTRICAL KEYED NOTES - DEMO WORK:

- EXISTING CHILLER TO BE REPLACED CHILLED WATER PUMP "CHP-1" & "CHP-2" DISCONNECT, WIRE AND CONDUIT TO BE REMOVED BACK TO SOURCE PANEL.
- EXISTING CONDENSER WATER PUMP TO BE REPLACED CONDENSER WATER PUMP "CWP-1" & "CWP-2" DISCONNECT, WIRE AND CONDUIT TO BE REMOVED BACK TO SOURCE PANEL.
- EXISTING AIR COMPRESSOR CIRCUIT TO BE REMOVED AIR COMPRESSOR DISCONNECT, WIRE AND CONDUIT TO BE REMOVED BACK TO SOURCE PANEL.
- PROVIDE NEW CHILLER "CH-1" & "CH-2" DISCONNECT, WIRE AND CONDUIT. VERIFY SIZE WITH FINAL MECHANICAL SUBMITTAL SPECIFICATION.
- EXISTING 120V CONTROL CIRCUIT TO REMAIN.



2 MAIN MECHANICAL ROOM NEW PLAN  
 1/4"=1'-0"

2 - ELECTRICAL KEYED NOTES - NEW WORK:

- PROVIDE NEW CHILLED WATER PUMP "CHP-1" & "CHP-2" DISCONNECT, WIRE AND CONDUIT. VERIFY SIZE WITH FINAL MECHANICAL SUBMITTAL SPECIFICATION.
- PROVIDE NEW CONDENSER WATER PUMP "CWP-1" & "CWP-2" DISCONNECT, WIRE AND CONDUIT. VERIFY SIZE WITH FINAL MECHANICAL SUBMITTAL SPECIFICATION.
- PROVIDE NEW CHILLER "CH-1" & "CH-2" DISCONNECT, WIRE AND CONDUIT. VERIFY SIZE WITH FINAL MECHANICAL SUBMITTAL SPECIFICATION.
- EXISTING 120V CONTROL CIRCUIT TO REMAIN.

*Handwritten note:* F.M., TOSHS 19-5317  
 EXP. 6/21